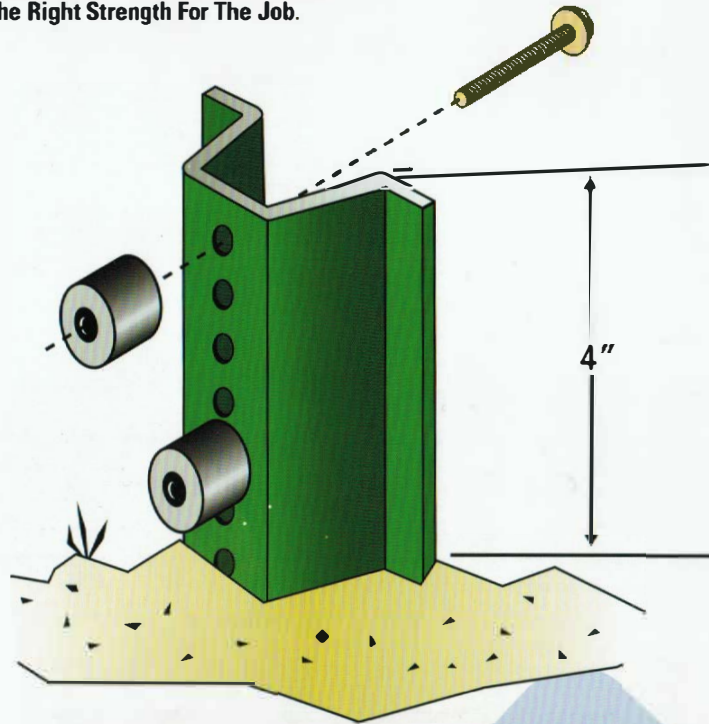


THE SAFETY SPLICE™ SIGNPOST SYSTEM

Exactly The Right Strength For The Job.

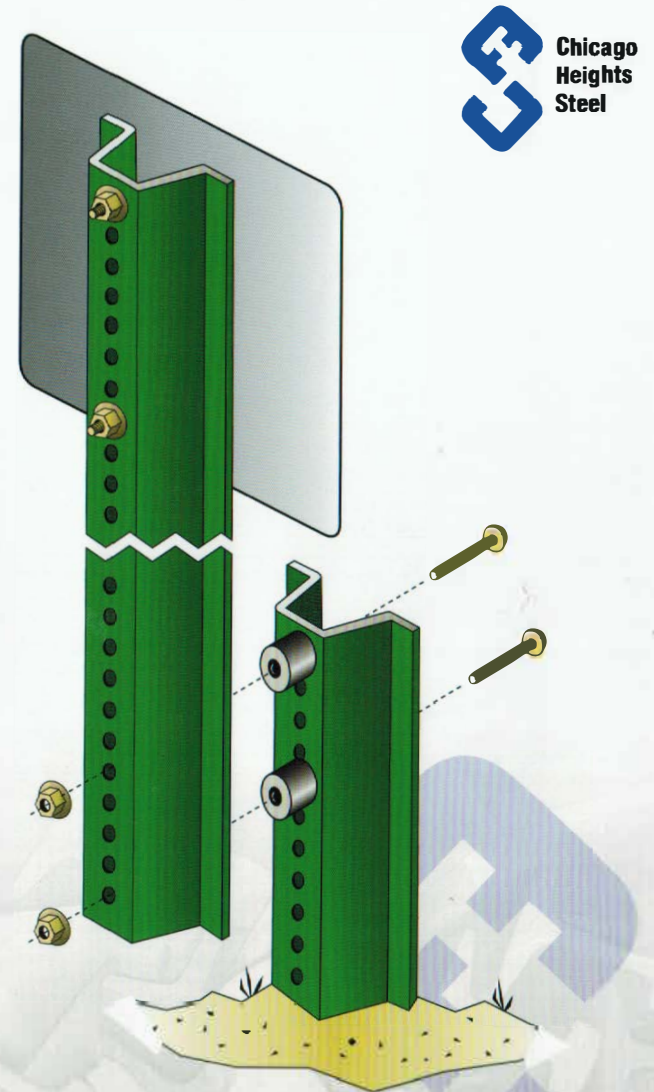


SAFETY-SPLICE™ Signpost System hardware consists of two high performance bolts and nuts, each with two washers and two unique spacers with easy slide-on retaining washers. These specially designed components make break-away post assembly simple and fast.

1. Dig a small, shallow hole approximately 6 inches in diameter and 2 inches deep; drive the ground post into the center of the hole leaving the top 4 inches above grade level exposed.

2. Place one bolt in the 1st and 5th holes in the ground post. Slide a spacer and push-on retaining washer onto each bolt, leaving both bolt ends exposed.

3. The top post is then nested over the end of the ground post and seated on the bolts. Lock nuts and washers are then installed and tightened and the earth around the post hole replaced and tamped firmly to complete the installation.



NOTE: Because SAFETY-SPLICE™ U-Channels have holes punched along the full length, undamaged portions can be re-used even after impact – as crosspieces and horizontal supports, extensions, reinforcing posts, delineators and temporary signing.

211 E. Main, Chicago Heights, IL 60411
708-756-5662 – 1-800-424-4487 - FAX 708-756-5628
WWW.CHS.COM